



FAST-FOLD® TRUSS FRAME SCREENS

Large Heavy-duty Portable Screens

DA-LITE SCREEN COMPANY, INC.
3100 North Detroit Street
Post Office Box 137
Warsaw, Indiana 46581-0137
Phone: 574-267-8101
800-622-3737
Fax: 574-267-7804
Toll Free Fax: 877-325-4832
www.da-lite.com
e-mail: info@da-lite.com

SPECIFICATION DATA

SUGGESTED SPECIFICATIONS: _____ projection screen(s), _____ (H) x _____ (W), portable type. To have flexible screen surface, flame retardant and mildew resistant. Screen surface will have reinforced black binding on all four sides and will attach to front of frame with metal snaps. Frame to consist of 1" square aluminum tubing, heliarc welded to form a 6" x 1" truss member. Members are joined with a piano hinge to allow for folding. 6" truss legs with anti-sway braces support the truss frame and allow height adjustments up and down in 6" increments. Larger frames have additional bracing members for extra rigidity and long life. Frame is clear etched and anodized to be brushed and burr free. All steel hardware is plated. Includes wheeled polyethylene carrying cases. Polyethylene carrying cases meet or exceed Air Transport Association (ATA) Specification 300 standards.

All surfaces up to 16' high will be seamless.

DIMENSIONS Complete Screen

Overall Size		Viewing Area		Approx. Ship. Wt.		Number of Cases
H x W	Cm.	H x W	Cm.	Lbs.	Kg	
7' x 9'	213 x 274	6' x 8'	183 x 244	112	50.8	1
8'6" x 11'	259 x 335	7'6" x 10'	229 x 305	149	67.6	2
11' x 11'	335 x 335	10' x 10'	305 x 305	151	68.5	2
10' x 13'	305 x 396	9' x 12'	274 x 366	157	71.2	2
13' x 13'	396 x 396	12' x 12'	366 x 366	160	72.6	2
8'6" x 14'4"	259 x 437	7'6" x 13'4"	229 x 406	170	77.3	2
11'6" x 15'	351 x 457	10'6" x 14'	320 x 427	176	79.8	2
10' x 17'	305 x 518	9' x 16'	274 x 488	169	76.7	2
13' x 17'	396 x 518	12' x 16'	366 x 488	188	85.3	2
11' x 19'	335 x 579	10' x 18'	305 x 549	187	84.8	2
11'6" x 19'8"	351 x 599	10'6" x 18'8"	320 x 569	195	88.6	2
12'3" x 21'	373 x 640	11'3" x 20'	343 x 610	202	91.6	2
16' x 21'	488 x 640	15' x 20'	457 x 610	225	102.1	2
13' x 22'4"	396 x 681	12' x 21'4"	366 x 650	240	109.1	2
9' x 25'	274 x 762	8' x 24'	244 x 732	210	95.3	3
14'6" x 25'	442 x 762	13'6" x 24'	411 x 732	249	113.0	3
19' x 25'	579 x 762	18' x 24'	549 x 732	304	137.9	3
16' x 27'6"	488 x 838	15' x 26'6"	457 x 808	325	147.7	3

PLEASE MARK APPROPRIATE SELECTIONS:

Select size from chart

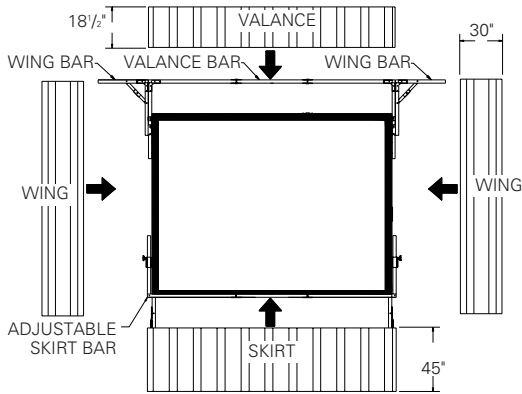
Select viewing surface for Complete Screen:

- Da-Mat® Da-Tex® (rear) High Contrast Da-Tex® (rear)
 Ultra Wide Angle (rear) Pearlescent Cinema Vision
 Dual Vision

Options:

- Drapery Presentation Kit-with or without adjustable skirt bar (black, blue or gray)
 Replacement Surface Only
 Da-Mat® Da-Tex® (rear) High Contrast Da-Tex® (rear)
 Ultra Wide Angle (rear) Pearlescent Cinema Vision
 Dual Vision
 Masking Panels: to mask 16:9 formatted screens to 4:3 format.
 Da-Mat® Foldable Black Backed surface.

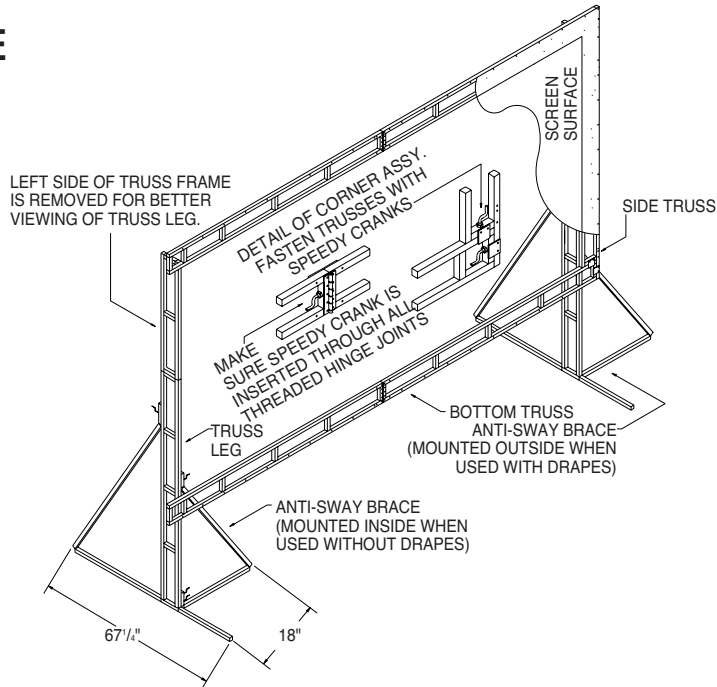
OPTIONAL DRAPERY KIT WITH SKIRT BAR



Project: _____
 Architect: _____
 Phone: _____
 Contractor: _____
 Phone: _____
 Supervisor: _____
 Phone: _____
 Supplier: _____
 Date: _____
 Revised: _____

FAST-FOLD® TRUSS FRAME SCREENS

UNDER 25' WIDE



25' AND WIDER

