



CONTOUR® ELECTROL®

Automatic Electric Projection Screen Model

DA-LITE SCREEN COMPANY LLC
3100 North Detroit Street
Post Office Box 137
Warsaw, Indiana 46581-0137
P 800-622-3737 / 574-267-8101
F 877-325-4832 / 574-267-7804
www.da-lite.com
e-mail: info@da-lite.com

SPECIFICATION DATA

SUGGESTED SPECIFICATIONS: _____ projection screen(s), _____ (H) x _____ (W), electrically operated 120 volt (60 Hz) not more than 2.4 amp. Shall have specially designed motor mounted inside the roller, to be three wire with ground, quick reversal type, oiled for life, with automatic thermal overload cutout, integral gears, capacitor and an electric brake to prevent coasting. To have preset but adjustable limit switches to automatically stop the picture surface in the "up" and "down" positions. Junction box shall be integrated into the housing making it possible to install the housing and wire to the building's electrical system during construction. The junction box shall contain a quick connect connector that is mounted in the housing for easy plug-in connection to the motorized fabric and roller assembly. The motorized fabric and roller assembly may be installed in the case at the factory or at a later time at the job site. The roller to be of rigid metal. Roller mounting brackets to be adjustable to allow centering or offsetting of the screen within the case. Screen case to be a two piece design made of extruded aluminum. Case to be finished in white lightly textured powder coat. Screen fabric to be a flame retardant and mildew resistant fiberglass with black masking borders standard. Bottom of fabric shall be formed into a pocket holding a metal rod. Screen to include a three-position control switch and cover plate. Screen to be listed by Underwriters' Laboratories.



Matte White: Horizontal seam required when both dimensions exceed 10'.

High Contrast Matte White: Available in sizes where both dimensions do not exceed 10'.

Video Spectra 1.5 : Available in sizes where both dimensions do not exceed 8'.

High Power® High Contrast High Power®: Available in sizes up to and including 9' x 12'. Horizontal seam required when both dimensions exceed 6'.

WHEN ORDERING, MARK APPROPRIATE SELECTIONS:

Select size from charts on the other side.

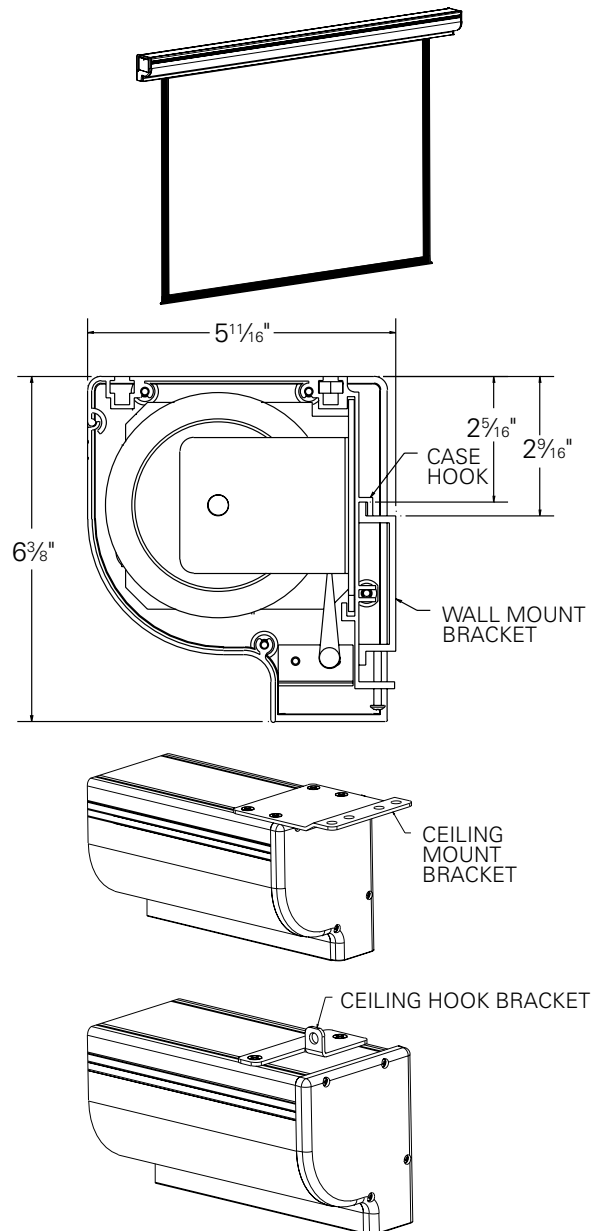
Select viewing surface:

- Matte White
 - High Contrast Matte White
 - High Power®
 - High Contrast High Power®
 - Video Spectra 1.5
 - Silver Lite 2.5
- GREENGUARD® and GREENGUARD® Children and Schools Certified.

Optional Accessories:

- Extra Drop available to lower picture area more than normal. Specify total drop at top _____ (black or white) or at bottom _____ (black or white). 13' maximum total surface height including picture area.
- No borders (Black masking borders standard).
- Single Motor Low Voltage Control (LVC) – external.
- Single Motor Low Voltage Control (LVC) – built-in.
- Wireless Remote Control for LVC.
 - Radio Frequency Remote
 - Radio Frequency Range Extender available
 - Infrared Remote
- Silent Motor.
- Silent Motor with Integrated LVC.
- Key Locking Cover Plate for 120 V Switch or LVC.
- Key Operated Switch for 120 V only (Note: Cannot be used with LVC).
- 220 Volt (50 Hz) Motor.
- Video Projector Interface Control - external.
- Video Projector Interface Control - built-in (adds 3¾" to case length of 220V motor version only).
- SCB-100 RS-232 Serial Control Board - external.
 - NET-100 Ethernet-Serial Adapter
- SCB-100 RS-232 Serial Control Board - built-in (adds 3¾" to length of case).
 - NET-100 Ethernet-Serial Adapter
- SCB-200 RS-232 Serial Control Board - built-in (adds 3¾" to length of case).
 - NET-200 Ethernet-Serial Adapter
 - WC-200 Wall Controller
 - IR-200 Infrared Remote
- Veneer Case Cover (Choose from seven standard veneers).
 - Light Oak
 - Medium Oak
 - Natural Walnut
 - Heritage Walnut
 - Mahogany
 - Cherry
 - Honey Maple
- Graphite case color.
- Black case (white standard).

SUGGESTED METHODS OF INSTALLATION



VIDEO (NTSC 4:3) FORMAT DIMENSIONS (2" standard black drop at top)

Viewing Area		Nominal Diagonal		Overall Length of Case		Approx. Ship. Wt.	
In.	Cm	In.	Cm	In.	Cm	Lbs.	Kg
43" x 57"	109 x 145	72"	183	69¾"	177	44	20.0
50" x 67"	127 x 170	84"	213	79¾"	203	51	23.1
57" x 77"	145 x 196	96"	244	93¾"	238	53	24.0
60" x 80"	152 x 203	100"	254	93¾"	238	56	25.4
69" x 92"	175 x 234	120"	305	105¾"	269	66	29.9
87" x 116"	221 x 295	150"	381	129¾"	330	95	43.1
105" x 140"	267 x 356	180"	457	153¾"	391	119	54.0
120" x 160"	305 x 406	200"	508	173¾"	441	143	64.9

HDTV (16:9) FORMAT DIMENSIONS (2" standard black drop at top)

Viewing Area		Nominal Diagonal		Overall Length of Case		Approx. Ship. Wt.	
In.	Cm	In.	Cm	In.	Cm	Lbs.	Kg
45" x 80"	114 x 203	92"	234	93¾"	238	56	25.4
52" x 92"	132 x 234	106"	269	105¾"	269	76	34.5
54" x 96"	137 x 244	110"	279	109¾"	279	77	34.9
58" x 104"	147 x 264	119"	302	117¾"	299	83	37.6
65" x 116"	165 x 295	133"	338	129¾"	330	93	42.2
78" x 139"	198 x 353	159"	404	153¾"	391	105	47.6
90" x 160"	229 x 406	184"	467	173¾"	441	125	56.7

WIDE (16:10) FORMAT DIMENSIONS

Viewing Area		Nominal Diagonal		Overall Length of Case		Approx. Ship. Wt.	
In.	Cm	In.	Cm	In.	Cm	Lbs.	Kg
50" x 80"	127 x 203	94"	239	93¾"	238	56	25.4
57½" x 92"	146 x 234	109"	277	105¾"	269	77	34.9
60" x 96"	152 x 244	113"	287	109¾"	279	80	36.3
65" x 104"	165 x 264	123"	312	117¾"	299	85	38.6
69" x 110"	175 x 279	130"	330	123¾"	314	90	40.8
72½" x 116"	184 x 295	137"	348	129¾"	330	93	42.2
87" x 139"	221 x 353	164"	417	153¾"	391	105	47.6
100" x 160"	254 x 406	189"	480	173¾"	441	125	56.7

SQUARE FORMAT DIMENSIONS

(screens with ^ have 2" standard black drop at top)

Sizes		Overall Length of Case		Approx. Ship. Wt.	
H x W	Cm	In.	Cm	Lbs.	Kg
50" x 50"	127 x 127	59¾"	152	39	17.7
60" x 60"	152 x 152	69¾"	177	47	21.3
70" x 70"	178 x 178	79¾"	203	52	23.6
84" x 84"	213 x 213	93¾"	238	62	28.1
6' x 8'^^	183 x 244	105¾"	269	66	29.9
8' x 8'	244 x 244	105¾"	269	66	29.9
7' x 9'^^	213 x 274	117¾"	299	68	30.8
9' x 9'^^	274 x 274	117¾"	299	79	35.8
8' x 10'^^	244 x 305	129¾"	330	95	43.1
10' x 10'^^	305 x 305	129¾"	330	101	45.8
9' x 12'^^	274 x 366	153¾"	391	119	54.0
12' x 12'	366 x 366	153¾"	391	128	58.1

Project:	_____

Architect:	_____
Phone:	_____
Contractor:	_____
Phone:	_____
Supervisor:	_____
Phone:	_____
Date:	_____
Revised:	_____

Overall case length dimensions ±¼" (6 mm).
 Detail dimensional drawings, wiring diagrams and installation instructions available upon request.
 Specifications subject to change without notice.
 Custom formats and sizes available upon request.